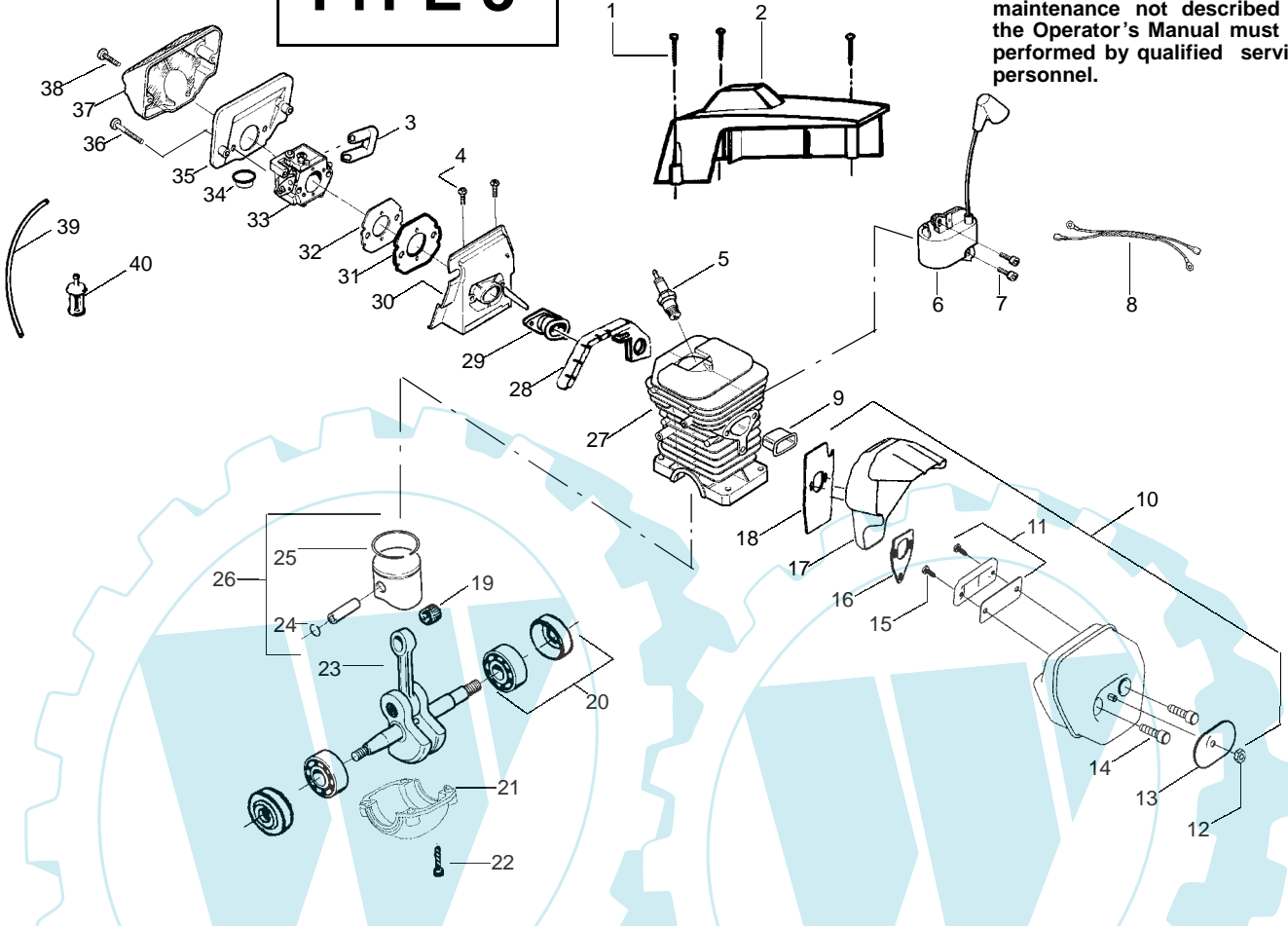




PARTS LIST NO. <b>530082347</b>		<b>POULAN® PARTS LIST</b>	CHAIN SAW MODEL(s) <b>2900 Export</b>
DATE <b>4/15/02</b>	REPLACES <b>530082347-8/28/01</b>		<b>Note:</b> Illustration may differ from actual model due to design changes

# TYPE 3

**⚠ WARNING**  
All repairs, adjustments and maintenance not described in the Operator's Manual must be performed by qualified service personnel.

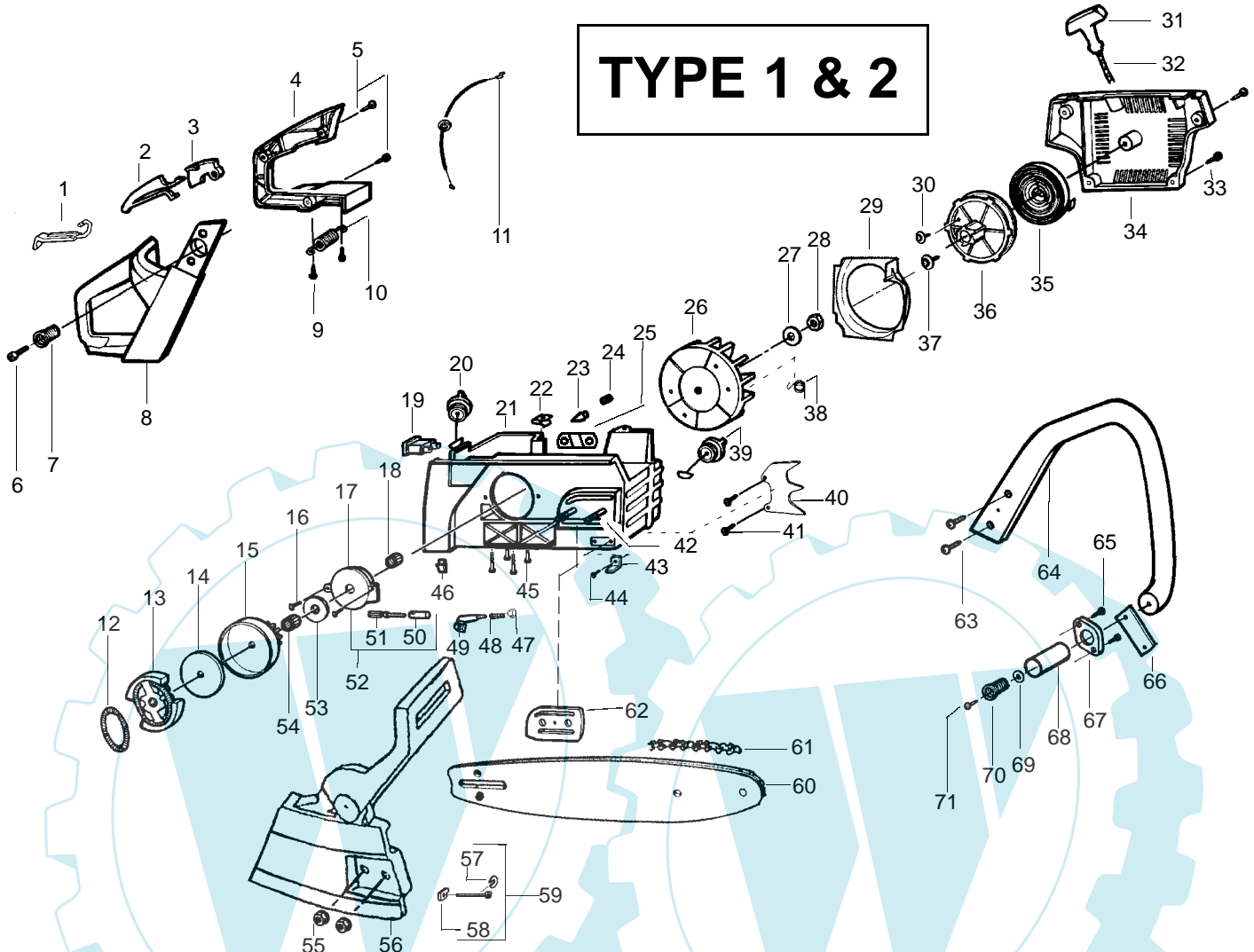


Ref.	Part No.	Description	Ref.	Part No.	Description
1.	530016154	Screw	25.	530037380	Ring-Piston
2.	530069700	Kit-Cylinder Shield	26.	✓530071496	Kit-Piston (Incl. 24, 25 )
3.	530037464	Grommet -Carb.	27.	530071491	Assy-Cyl/Crankcase (Incl.#21)
4.	530015814	Screw	28.	530019251	Seal-Super Clean
5.	952030150	Spark Plug (RCJ-7Y)	29.	530037668	Intake Boot
6.	530039143	Module-Ignition	30.	530053396	Adapter-Carb.
7.	530015895	Screw	31.	530037872	Intake Plate-Carb
8.	530037467	Assy-Switch Wire	32.	530019172	Gasket-Carb.
9.	530037652	Insulator-Heat	33.	530071492	Kit-Carburetor (WT-610)
10.	530071495	Kit-Muffler (Incl.12-18)	34.	530036792	Isolator
11.	530071497	Kit-Spark Arrestor (Incl.# 15)	35.	530037478	Filter-Air (Bottom)
12.	530016359	Nut-Brass	36.	530015970	Screw
13.	530056061	Cover-Bolt	37.	530036141	Filter-Air (Top)
14.	530016338	Bolt-Muffler	38.	530015899	Screw
15.	530016351	Screw-Spark Screen	39.	530069247	Kit-Fuel Line (Small)
16.	530055128	Gasket-Muffler	40.	✓530095646	Assy-Fuel Pick-up
17.	530055765	Assy-Muffler Backplate			
18.	530055402	Backplate - Alum.			
19.	530032117	Bearing			
20.	✓530056363	Assy-Bearing & Seal			
21.	530049794	Cap-Crankcase			
22.	530015897	Screw			
23.	530029794	Assy-C'shaft & Rod			
24.	530015697	Retainer-Piston Pin			
				Not Shown	
				✓530088182	Operator Manual - Euro I
				530031135	Scrench
				✓530056167	Decal-Warning/Start Inst.

✓ = NEW PART NUMBER FOR THIS IPL    \* = REFER TO THE SERVICE REFERENCE INDICATED FOR MORE INFORMATION. (LOCATED AT END OF IPL)  
● = THESE PARTS ARE ILLUSTRATED FOR CLARITY. ORDER COMPLETE ASSEMBLY.

PARTS LIST NO. <b>530082347</b>		<b>POULAN® PARTS LIST</b>	CHAIN SAW MODEL(s) <b>2900 Export</b>
DATE <b>4/15/02</b>	REPLACES <b>530082347-8/28/01</b>		NOTE: Illustration may differ from actual model due to design changes

# TYPE 1 & 2

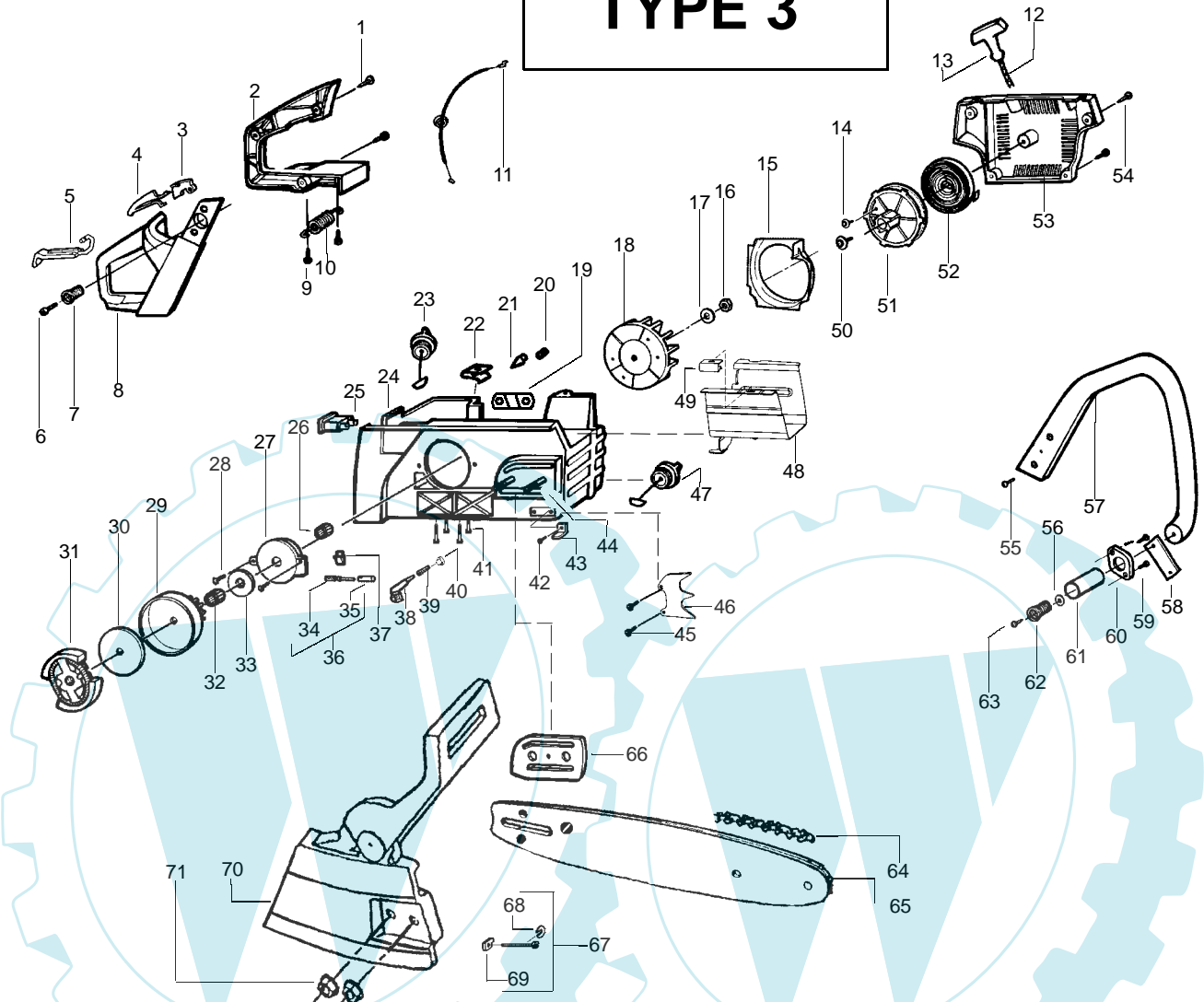


Ref.	Part No.	Description	Ref.	Part No.	Description	Ref.	Part No.	Description
1.	530053443	Choke Lever	27.	530015127	Washer	53.	530015907	Thrust Washer
2.	530036098	Throttle Lockout	28.	530016071	Nut	54.	530032119	Clutch Bearing
3.	530036097	Throttle Trigger	29.	530029800	Baffle Plate	55.	530015917	Bar Mounting Nut
4.	530071272	Assy-Handle (incl.#8)	30.	530016080	Screw	56.	530054803	Assy-Chainbrake
5.	530015957	Screw	31.	530037485	Starter Handle	57.	530038593	Retainer-Bar Adjust
6.	530015937	Screw	32.	530069232	Rope Kit	58.	530015826	Bar Adjusting Pin
7.	530038985	Spring - Isolator	33.	530015892	Screw	59.	530069611	Kit - Bar Adjust (incl.57,58)
8.	530071272	Assy-Handle (incl.#4)	34.	530047744	Assy Fan Hsg (Incl. 29)	60.	---	Bar
9.	530015886	Screw	35.	530015891	Recoil Spring		952044324	16"
10.	530038986	Isolator Spring	36.	530069313	Kit - Starter Pulley		952044325	18"
11.	530038471	Throttle Cable	37.	530015920	Screw		952044326	20"
12.	530094188	Spring - Clutch	38.	530023817	Spring - Starter Dog	61.	---	Chain
13.	530014949	Clutch Ass'y.	39.	530010846	Oil Cap Ass'y.		952051301	16"
14.	530015611	Clutch Washer	40.	530014381	Assy. - Spike (incl.41)		952051313	18"
15.	530069342	Kit - Clutch Drum & Bearing (incl. 54)	41.	530015805	Screw		952051310	20"
16.	530015896	Screw	42.	530015877	Bar Bolt	62.	530047855	Bar Plate
17.	530029835	Oil Pump Hsg.	43.	530029850	Chain Catcher	63.	530015814	Screw
18.	530029833	Oil Pump Worm	44.	530015906	Screw	64.	530038327	Handle
19.	530069572	Switch Kit	45.	530016037	Screw	65.	530015775	Screw
20.	530010845	Fuel Cap Ass'y.	46.	530019174	Oil Seal	66.	530036113	Front Strap
21.	530037511	Chassis Ass'y.	47.	530030189	Plug-Oiler Filter	67.	530036101	Isolator Plate
22.	530015922	Speed Nut	48.	530037821	Oil Filter	68.	530036142	Spring Sleeve
23.	530026119	Check Valve	49.	530037057	Oil Pick-up	69.	530015123	Washer
24.	530029868	Vent Plug	50.	530029834	Oil Pump Barrel	70.	530038985	Isolator Spring
25.	530036043	Bar Stud Plate	51.	530029838	Plunger & Gear Ass'y.	71.	530015984	Screw
26.	530039147	Flywheel Ass'y.	52.	530014410	Oil Pump Ass'y. (Incl. 17, 50, & 51)			

✓ = NEW PART NUMBER FOR THIS IPL      \* = REFER TO THE SERVICE REFERENCE INDICATED FOR MORE INFORMATION. (LOCATED AT END OF IPL)

PARTS LIST NO. <b>530082347</b>		<b>POULAN® PARTS LIST</b>	CHAIN SAW MODEL(S) <b>2900 Export</b>
DATE <b>4/15/02</b>	REPLACES <b>530082347-8/28/01</b>		Note: Illustration may differ from actual model due to design changes

# TYPE 3



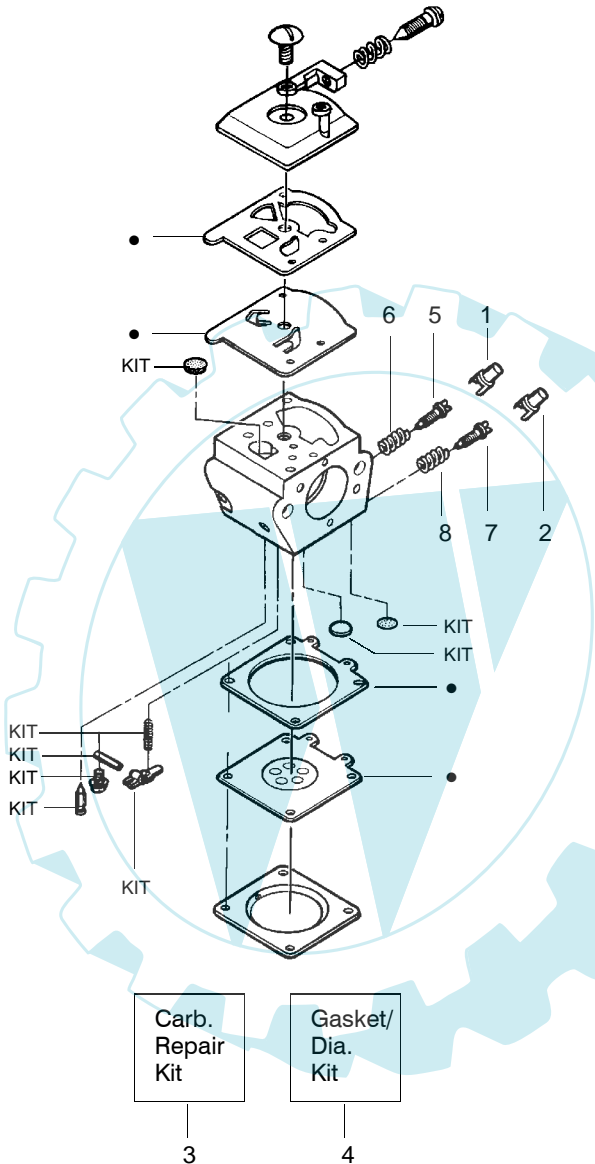
Ref.	Part No.	Description	Ref.	Part No.	Description	Ref.	Part No.	Description
1.	530015957	Screw	23.	530010845	Assy-Fuel Cap	47.	530010846	Assy-Oil Cap
2.	530036491	Cover-Handle	24.	530037511	Assy-Chassis	48.	530055406	Shield-Heat
3.	530036097	Trigger-Throttle	25.	530069572	Kit-Switch	49.	530055322	Clip-"U"
4.	530036098	Lockout-Throttle	26.	530029833	Worm-Oil Pump	50.	530015920	Screw
5.	530053443	Lever-Choke	27.	530029835	Hsg.-Oil Pump	51.	530069313	Kit-Starter Pulley
6.	530015937	Screw	28.	530015896	Screw	52.	530015891	Spring-Recoil
7.	530038985	Spring-Isolator	29.	530069342	Kit-Clutch Drum	53.	530047744	Housing-Fan (incl.#15)
8.	530036130	Handle-Rear	30.	530015611	Washer-Clutch	54.	530015892	Screw
9.	530015906	Screw	31.	530014949	Assy-Clutch	55.	530015814	Screw
10.	530038986	Spring-Isolator	32.	530032119	Bearing-Clutch	56.	530015123	Washer
11.	530038471	Assy-Throttle Cable (Incl. Grommet)	33.	530015907	Washer-Thrust	57.	530038327	Handle-Front
12.	530069232	Kit-Rope	34.	530029838	Assy-Plunger/Gear	58.	530036113	Front Strap-AV
13.	530037485	Handle-Starter	35.	530029834	Barrel-Oil Pump	59.	530015775	Screw-Plate
14.	530016080	Screw	36.	530014410	Assy-Oil Pump (Incl. 27, 34, & 35)	60.	530036101	Plate-Isolator
15.	530047667	Plate-Baffle Fan	37.	530019174	Seal-Oil	61.	530036142	Spring Sleeve-AV
16.	530016071	Nut-Flywheel	38.	530037057	Pickup-Oil	62.	530038985	Spring-Isolator
17.	530015127	Washer-Flywheel	39.	530037821	Filter-Oil	63.	530015984	Screw
18.	530039147	Assy-Flywheel	40.	530030189	Plug-Oil Filter	64.	952051313	Chain-18" (33SL-72)
19.	530036043	Plate-Support (Bar Stud)	41.	530016037	Screw	65.	952044325	Bar-18"
20.	530029868	Plug-Vent	42.	530015906	Screw	66.	530047855	Bar Plate
21.	530026119	Valve-Check	43.	530029850	Chain Catcher	67.	530069611	Kit-Bar Adj. (Incl 68,69)
22.	530015922	Nut-Speed	44.	530015877	Bar Bolt	68.	530038593	Retainer-Bar Adjust
			45.	530015805	Screw	69.	530015826	Pin-Bar Adjust
			46.	530014381	Kit-Spike Assy.(incl.#45)	70.	530054803	Assy-ChainBrake
						71.	530015917	Nut-Bar Mounting

✓ = NEW PART NUMBER FOR THIS IPL    ★ = REFER TO THE SERVICE REFERENCE INDICATED FOR MORE INFORMATION. (LOCATED AT END OF IPL)

PARTS LIST NO. <b>530082347</b>		<b>POULAN® PARTS LIST</b>	CHAIN SAW MODEL(s) <b>2900 Export</b>
DATE <b>4/15/02</b>	REPLACES <b>530082347-8/28/01</b>		NOTE: Illustration may differ from actual model due to design changes

# TYPE 1,2

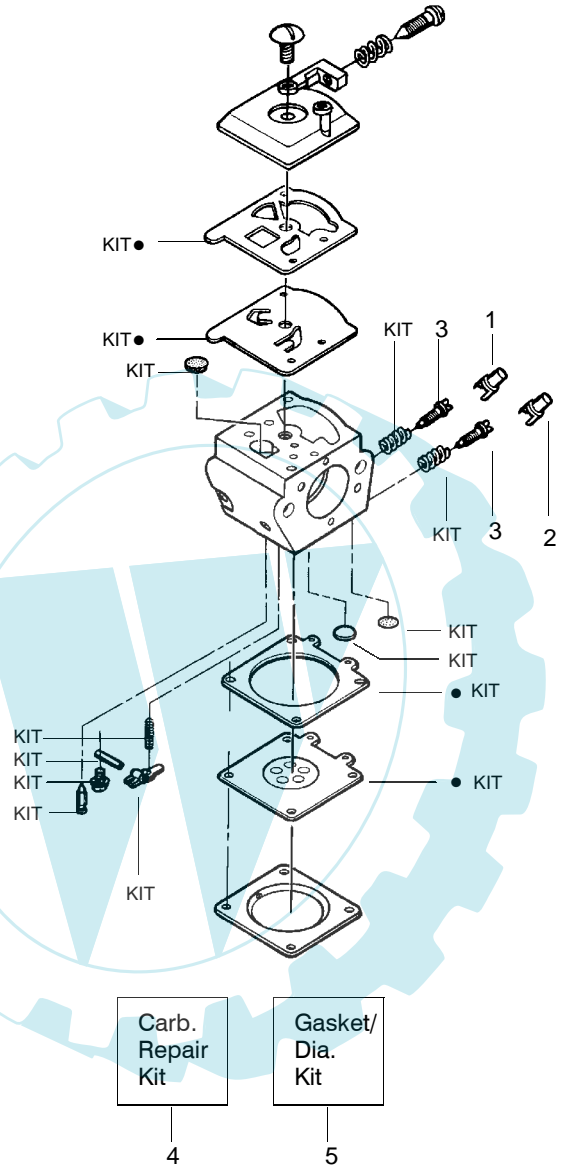
## Carburetor Assembly – WT529 – #530071345



Ref.	Part No.	Description
1.	530038318	Limiter Cap–High (red)
2.	530038317	Limiter Cap–Low (blue)
3.	530069825	Carburetor Repair Kit (KIT= Indicates Contents)
4.	530069844	Gasket Diaphragm Kit (● Indicates Contents)
5.	530035281	Needle–Low Speed
6.	530035293	Needle Spring–Low Speed
7.	530037294	Needle–High Speed
8.	530035295	Needle Spring–High Speed

# TYPE 3

## Carburetor Assembly – WT610 – #530071492



Ref.	Part No.	Description
1.	530038479	Limiter Cap–High (Brown)
2.	530038478	Limiter Cap–Low (Tan)
3.	530035523	Needle–High/Low Speed
4.	530069825	Carburetor Repair Kit (KIT= Indicates Contents)
5.	530069844	Gasket Diaphragm Kit (● Indicates Contents)

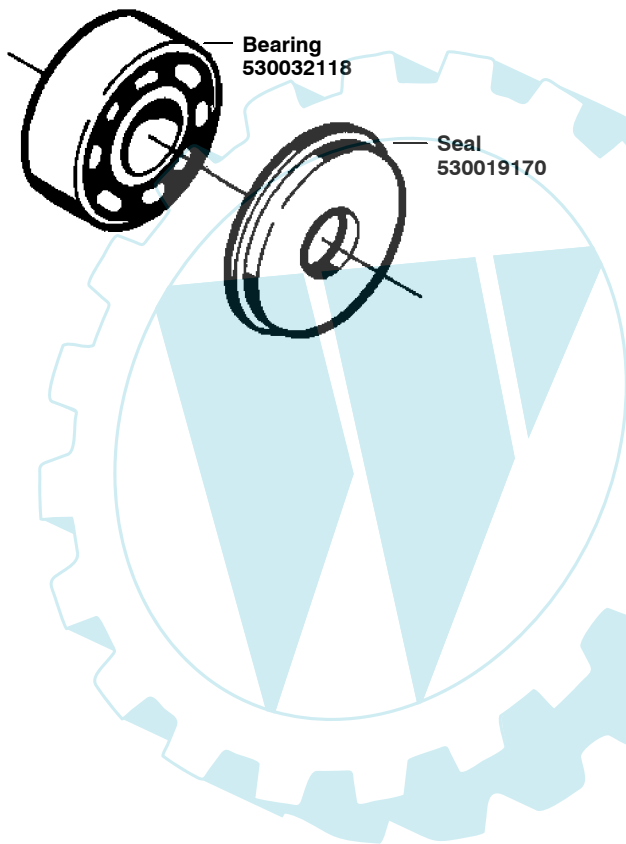
✓ = NEW PART NUMBER FOR THIS IPL    ★ = REFER TO THE SERVICE REFERENCE INDICATED FOR MORE INFORMATION. (LOCATED AT END OF IPL)

PARTS LIST NO. 530082347		POULAN® PARTS LIST	CHAIN SAW MODEL(s) 2900 Export
DATE 4/15/02	REPLACES 530082347-8/28/01		Note: Illustration may differ from actual model due to design changes

★ ★ ★ ★ ★ SERVICE REFERENCE ★ ★ ★ ★ ★

If your saw has the separate bearing and seal please order both the 530032118 bearing and the 530019170 seal. If your saw has the one piece bearing/seal assembly please order the 530056363 bearing/seal assy.  
**(Please Note : The different styles will not interchange.)**

**TWO PIECE STYLE**



**ONE PIECE STYLE**



✓ = NEW PART NUMBER FOR THIS IPL    ★ = REFER TO THE SERVICE REFERENCE INDICATED FOR MORE INFORMATION. (LOCATED AT END OF IPL)  
 ● = THESE PARTS ARE ILLUSTRATED FOR CLARITY. ORDER COMPLETE ASSEMBLY.